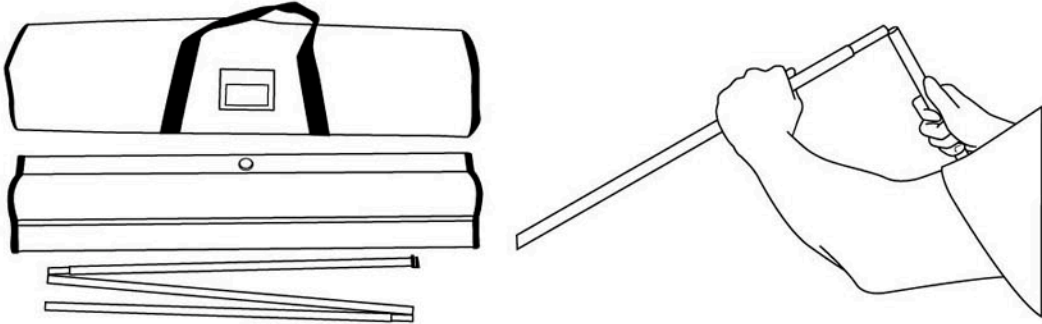


# SET UP INSTRUCTION

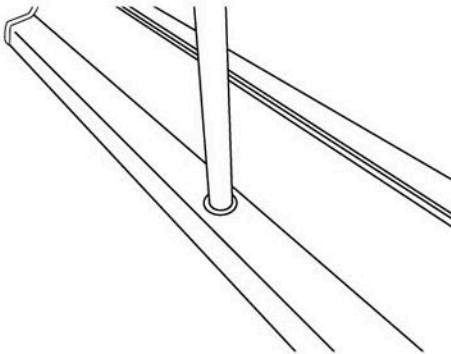
Supreme

## 3 - Parted Pole

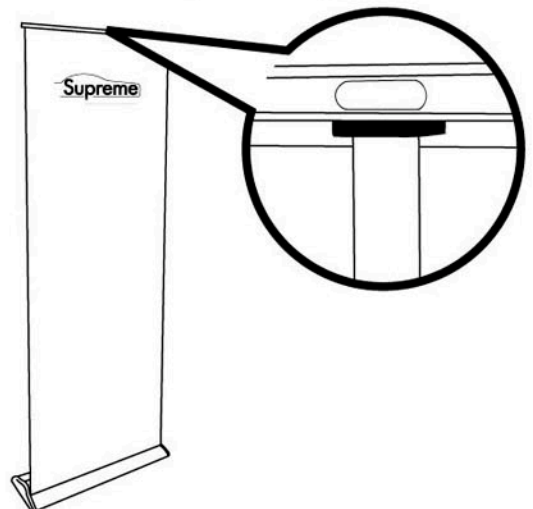
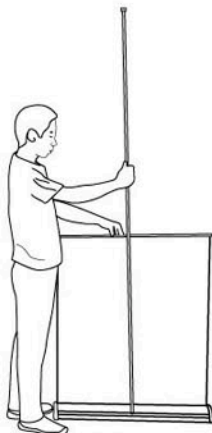
1. Unfold the 3-parted pole.



2. Insert the pole onto the cup of the base.

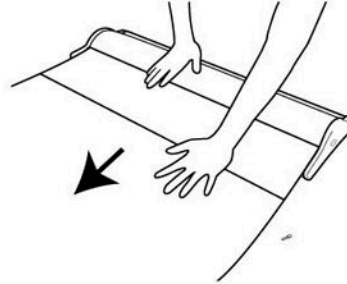
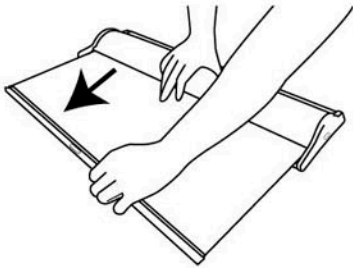


3. Pull up the graphic and position the plastic end tip of the pole into the profile.

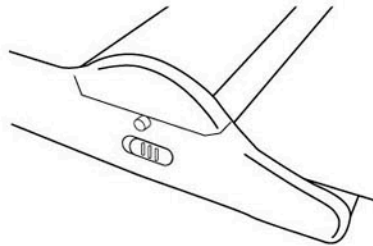
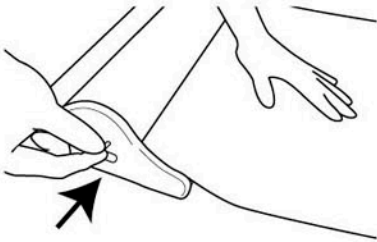


# CHANGING GRAPHIC Supreme

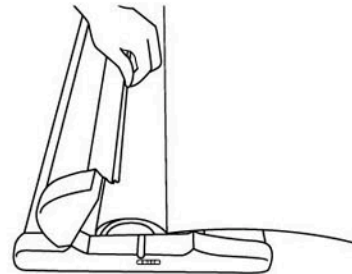
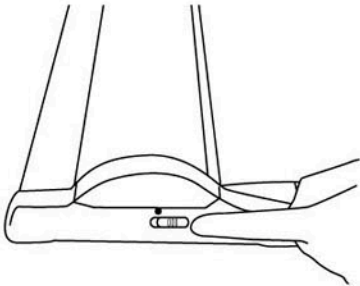
1. Pull out the graphic entirely.



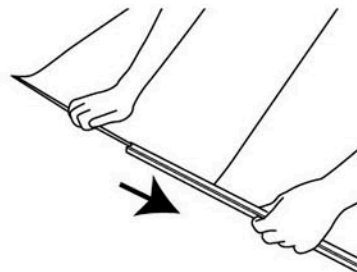
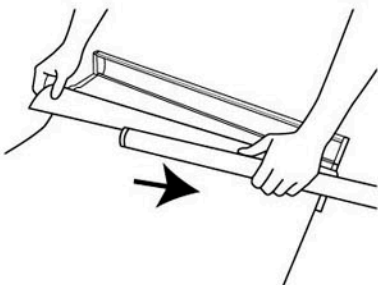
2. Stop the roller by inserting the pin into the hole on the right end plate completely.



3. Click the buttons at both ends to open the cover of the stand.



4. Slide the graphic out from the internal roller and the top profile, then follow the steps on "mounting graphic" instruction to install a new graphic.

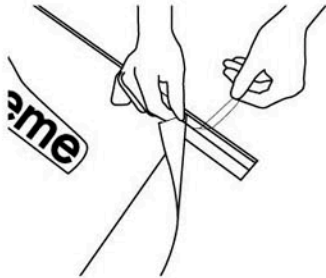


# MOUNTING GRAPHIC

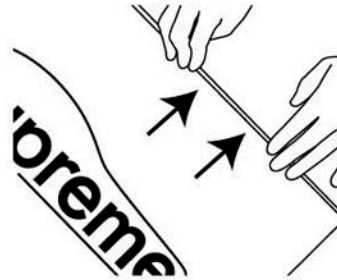
Supreme

(P.1)

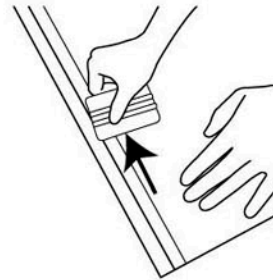
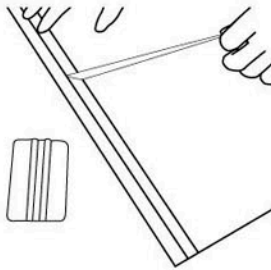
1. Attach the graphic onto the panel strip by removing each time a few inches of the protective liner of the tape.



2. Align the graphic with the strip and press the graphic firmly on the strip.

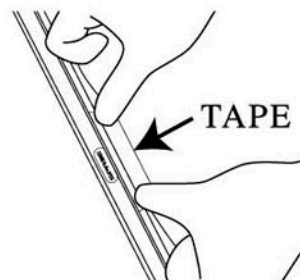
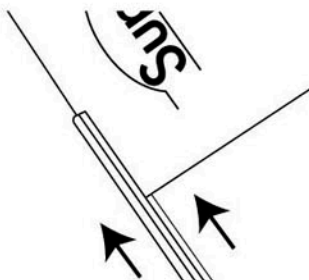


3. Repeat the above steps at the back of the graphic with the security tape. Press firmly.



4. Repeat steps 1 to 3 for bottom of the graphic.

5. Slide the top of the graphic into the top profile and secure with a piece of tape.

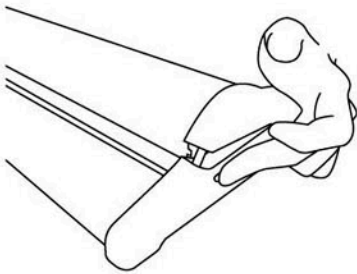


# MOUNTING GRAPHIC

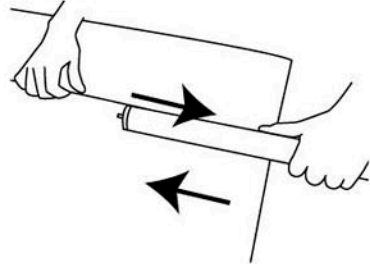
Supreme

(P.2)

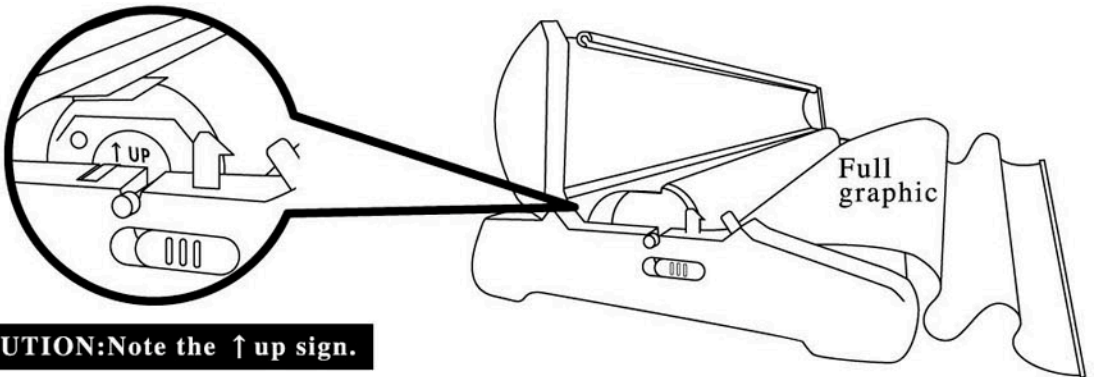
6. Open the cover by clicking the two buttons at both ends and take out the internal roller.



7. Slide the bottom of the graphic into the slot of the roller.



8. Return the roller with graphic into the base. Let the entire graphic lay outside the base. Close the cover.



**CAUTION:** Note the ↑ up sign.

9. Push the graphic forward slightly to activate the spring system. Remove the locking pin and let the graphic retract into the system slowly.

