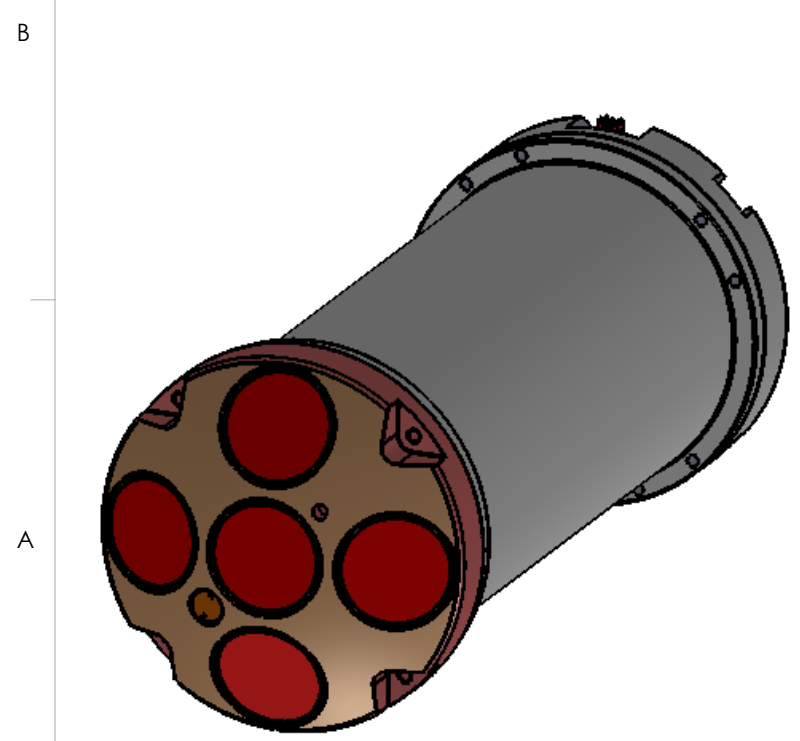
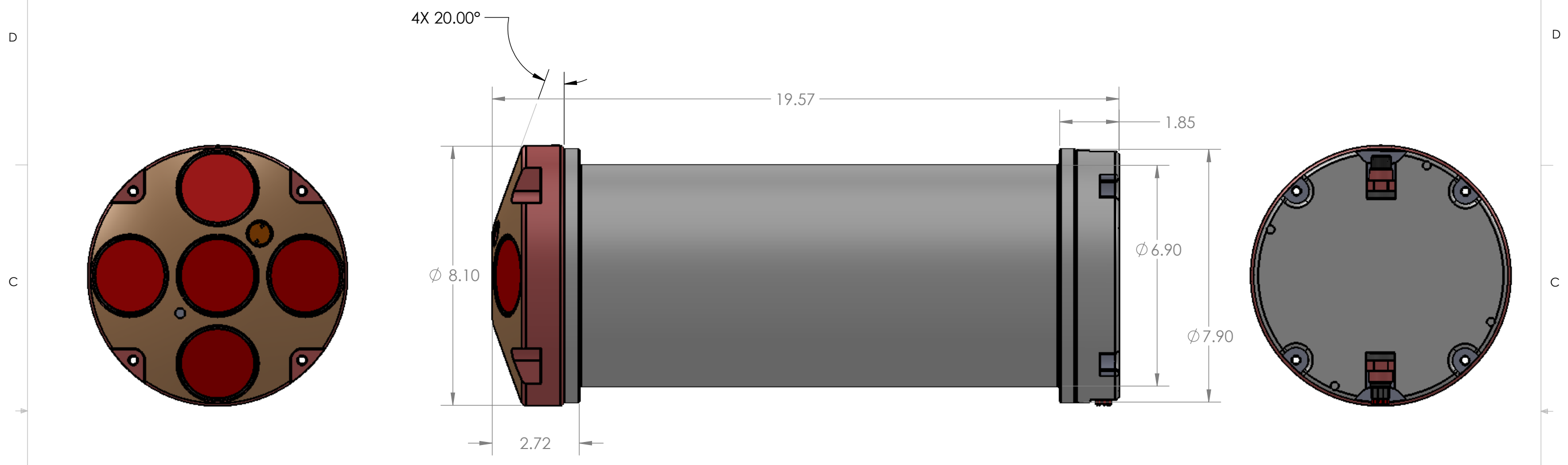


REVISIONS				
ECO NO	REV	DESCRIPTION	ENG DATE	APRV
	A			



WEIGHT IN AIR: 38 LBS
 WEIGHT IN WATER: 5 LBS

PROPRIETARY AND CONFIDENTIAL
 THE INFORMATION CONTAINED IN THIS DRAWING IS THE SOLE PROPERTY OF Rowe Technologies Inc.. ANY REPRODUCTION IN PART OR AS A WHOLE WITHOUT THE WRITTEN PERMISSION OF Rowe Technologies Inc. IS PROHIBITED.

		UNLESS OTHERWISE SPECIFIED:		NAME	DATE	Rowe Technologies Inc. Poway CA, 92064	
		DIMENSIONS ARE IN INCHES		DRAWN		TITLE: OUTLINE DWG, 1200 KHZ 5 BEAM WAVES, 2 BAT. PACKS	
		TOLERANCES:		CHECKED			
		FRACTIONAL ±		ENG APPR.			
		ANGULAR: MACH ± BEND ±		MFG APPR.			
		TWO PLACE DECIMAL ± .005		Q.A.		SIZE DWG. NO. REV	
		THREE PLACE DECIMAL ± .002		COMMENTS:		B 10391 A	
		INTERPRET GEOMETRIC TOLERANCING PER:				SCALE: 1:8 SHEET 1 OF 1	
		MATERIAL					
		FINISH					
NEXT ASSY	USED ON	DO NOT SCALE DRAWING					
APPLICATION							